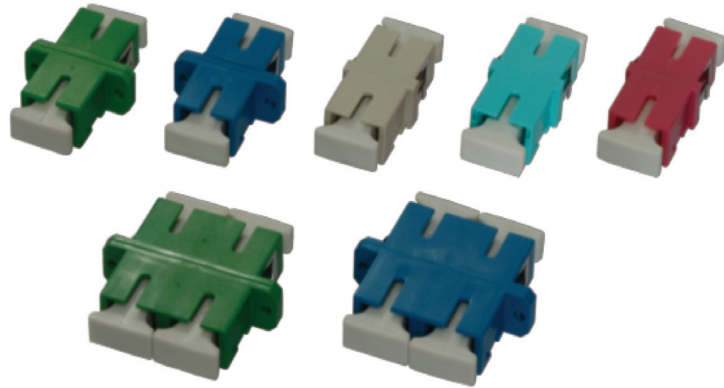


SC Adapter Series

SC Adapter Simplex & Duplex Version

Field of Application

The SC adapter is either made of a polymer or metal based outer body. Inside the Adapter, a high precision sleeve ensures maximum optical performance. The SC adapter is used in CATV applications as well as in LAN & WAN and datacenter networks.



Features

- UPC(blue) and APC(green) version available
- One piece version available
- Flange version as well as flangeless version available
- Available in bulk or blister packaging
- Panel clip for easy installation
- According to JIS5974 and Bellcore GR-326 standard

Product description

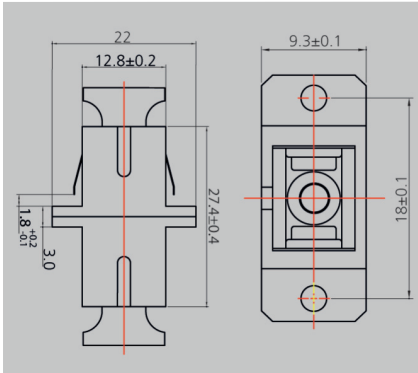
SC Adapter Series

euroclust's fiber optic SC adapters are available in different versions both in regard of color and optical performance. The SC adapter series are classified by euroclust's Fiber Optic Grade System which clearly defines technical parameters such as insertion loss and the sleeve material. Each adapter type is available with or without flange, the choice of a flange or flangeless version depends on the desired installation point. The housing material of the adapter is either plastic or metal. Per default all adapters are delivered with white T-dust caps. Upon request euroclust offers all adapters with semi-transparent T-dust caps, this ensures a fast and easy inspection of the arriving light from a red laser light of a fiberchecker. Upon customer's request a dust cap in the same color like the adapter housing is available too. The housing color of a plastic adapter follows international standards. Euroclust offers its adapters in two different singlemode grades (Grade B and Grade C) in APC or UPC execution (the only difference is the color) and in one multimode grades (Grade M) in OM2, OM3, OM4 or OM5 execution (the only difference is the color).

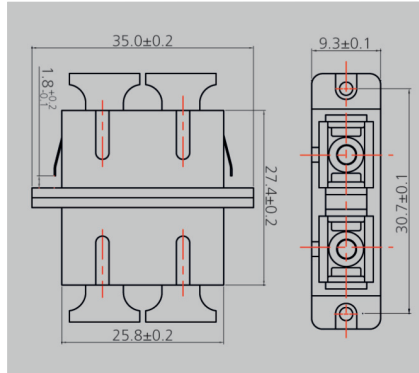
Technical specifications

	Grade B	Grade C
Sleeve Material	Ceramic	Ceramic
Insertion Loss (IEC 61300-3-4)	0.1dB	0.2dB
Mode type	Singlemode/Multimode	Singlemode/Multimode
Mating durability (IEC 61300-2-2)	500 cycles at not less than 3s between engagement	
Pull Out Force (IEC 61300-2-6)	40N at 2N/s, 120s	
Cold (IEC 61300-2-17)	-40°C (±2°C), 96h	
Dry Heat (IEC 61300-2-18)	+95°C (±2°C), 96h	
Change of temperature (IEC 61300-2-22)	-10°C (±2°C) to +60 (±2°C) 60 min duration at extremes 1°C/min rate of change, 5 cycles	
Damp Heat (IEC 61300-2-19)	40°C (±2°C) 93% RH, 2% to 3% RH, 96h	

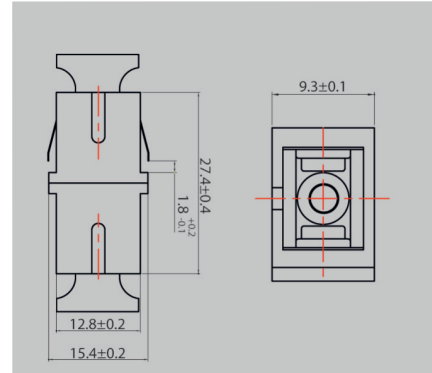
Components & Dimensions



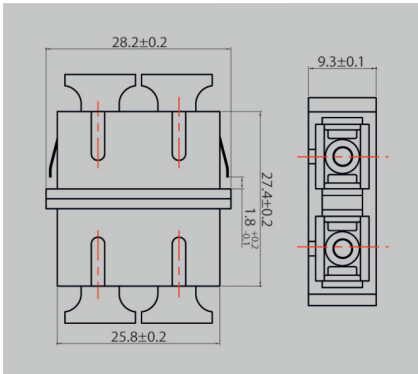
SCsx Adapters, with flange
The dimensions are equal for plastic or metal housing.



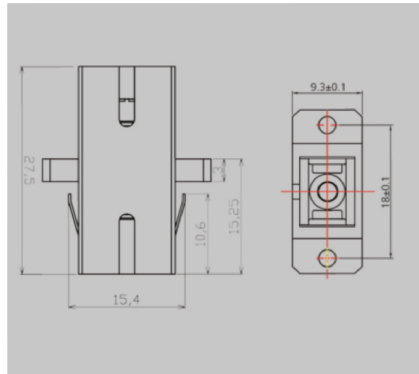
SCdx Adapters, with flange
The dimensions are equal for plastic or metal housing



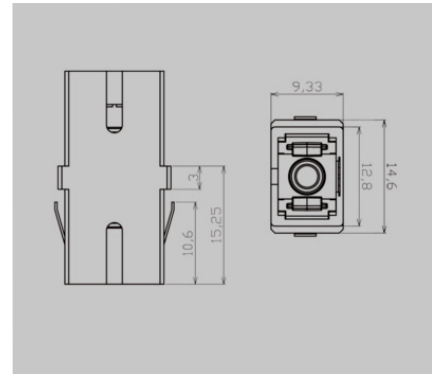
SCsx Adapters, without flange



SCdx Adapters, plastic housing without flange

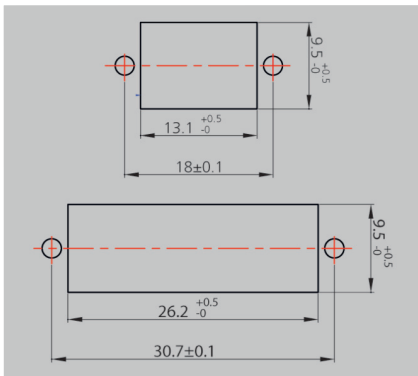


SCsx Adapters, with flange, One piece
The dimensions are equal for plastic or metal housing



SCsx Adapters, without flange, One piece

Mounting hole dimensions



Recommended mounting hole dim.
The cut out for the adapter mounting should be of the above dimensions

Adapter color standards

Type	Color
SM/UPC	Blue (RAL 5015)
SM/APC	Green (RAL 6018)
MM/OM2	Beige (RAL 1013)
MM/OM3	Aqua (RAL 6027)
MM/OM4	Heather violet (RAL 4003)
MM/OM5	Lime green Pantone 22974

Packaging

Depending on our customer's requirements, bulk or blister packaging is available. Standard packing is bulk packing.

Bulk packaging

One bag consists of either:
50 pcs. Duplex Adapters inclusive white dust cap
100 pcs. Simplex Adapters inclusive white dust cap

Blister packaging

The size of each blister layer as well as the amount of adapters per blister layer may differ. Please ask your euroclust sales representative for details.

SC Adapter Series

SC Adapter Simplex & Duplex Version

Ordering Information

SCsx SM/APC Version

Description	Net weight (g)	ec-Article Nr. ¹⁾ :
SCsx APC Adapter with flange, green, plastic housing, Grade B	3,5	EC02.320616.007
SCsx APC Adapter with flange, green, plastic housing, Grade C	3,5	EC02.320116.007
SCsx APC Adapter without flange, green, plastic housing, Grade B	3,5	EC02.320668.007
SCsx APC Adapter without flange, green, plastic housing, Grade C	3,5	EC02.320168.007
SCsx APC Adapter with flange, metal housing, Grade B	11,9	EC02.320672.007
SCsx APC Adapter with flange, metal housing, Grade C	11,9	EC02.320172.007

SCsx SM/APC Version, One piece

Description	Net weight (g)	ec-Article Nr. ¹⁾ :
SCsx APC Adapter with flange, green, plastic housing, Grade B	3,5	EC02.320616.007-S
SCsx APC Adapter with flange, green, plastic housing, Grade C	3,5	EC02.320116.007-S
SCsx APC Adapter without flange, green, plastic housing, Grade B	3,5	EC02.320668.007-S
SCsx APC Adapter without flange, green, plastic housing, Grade C	3,5	EC02.320168.007-S

SCdx SM/APC Version

SCdx APC Adapter with flange, green, plastic housing, Grade B	7	EC02.330617.007
SCdx APC Adapter with flange, green, plastic housing, Grade C	7	EC02.330117.007
SCdx APC Adapter without flange, green, plastic housing, Grade B	7	EC02.330669.007
SCdx APC Adapter without flange, green, plastic housing, Grade C	7	EC02.330169.007
SCdx APC Adapter with flange, metal housing, Grade B	20	EC02.330678.007
SCdx APC Adapter with flange, metal housing, Grade C	20	EC02.330178.007

SCsx SM/PC Version

SCsx PC Adapter with flange, blue, plastic housing, Grade B	3,5	EC02.320612.007
SCsx PC Adapter with flange, blue, plastic housing, Grade C	3,5	EC02.320112.007
SCsx PC Adapter without flange, blue, plastic housing, Grade B	3,5	EC02.320667.007
SCsx PC Adapter without flange, blue, plastic housing, Grade C	3,5	EC02.320167.007
SCsx PC Adapter with flange, metal housing, Grade B	11,9	EC02.320671.007
SCsx PC Adapter with flange, metal housing, Grade C	11,9	EC02.320171.007

SCsx SM/PC Version, One piece

SCsx PC Adapter with flange, blue, plastic housing, Grade B	3,5	EC02.320612.007-S
SCsx PC Adapter with flange, blue, plastic housing, Grade C	3,5	EC02.320112.007-S
SCsx PC Adapter without flange, blue, plastic housing, Grade B	3,5	EC02.320667.007-S
SCsx PC Adapter without flange, blue, plastic housing, Grade C	3,5	EC02.320167.007-S

SCdx SM/PC Version

SCdx PC Adapter with flange, blue, plastic housing, Grade B	7	EC02.330613.007
SCdx PC Adapter with flange, blue, plastic housing, Grade C	7	EC02.330113.007
SCdx PC Adapter without flange, blue, plastic housing, Grade B	7	EC02.330618.007
SCdx PC Adapter without flange, blue, plastic housing, Grade C	7	EC02.330118.007
SCdx PC Adapter with flange, metal housing, Grade B	20	EC02.330677.007
SCdx PC Adapter with flange, metal housing, Grade C	20	EC02.330177.007

1) Please replace EC02.XXXXXX.007 with EC02.XXXXXX.012 for semi transparent dust caps.

Bold means preferred type

Ordering Information

SCsx MM/PC Version

Description		ec-Article Nr.:
SCsx OM2 Adapter with flange, beige, plastic housing, Grade B	3,5	EC02.320614.007
SCsx OM2 Adapter without flange, beige, plastic housing, Grade B	3,5	EC02.320615.007
SCsx OM2 Adapter with flange, beige, plastic housing, Grade C	3,5	EC02.320414.007
SCsx OM2 Adapter without flange, beige, plastic housing, Grade C	3,5	EC02.320415.007
SCsx OM3 Adapter with flange, aqua, plastic housing, Grade B	3,5	EC02.320637.007
SCsx OM3 Adapter with flange, aqua, plastic housing, Grade C	3,5	EC02.320437.007
SCsx OM3 Adapter without flange, aqua, plastic housing, Grade B	3,5	EC02.320639.007
SCsx OM3 Adapter without flange, aqua, plastic housing, Grade C	3,5	EC02.320439.007
SCsx OM4 Adapter with flange, heather violet, plastic housing, Grade B	3,5	EC02.320664.007
SCsx OM4 Adapter with flange, heather violet, plastic housing, Grade C	3,5	EC02.320464.007
SCsx OM4 Adapter without flange, heather violet, plastic housing, Grade B	3,5	EC02.320682.007
SCsx OM4 Adapter without flange, heather violet, plastic housing, Grade C	3,5	EC02.320482.007
SCsx OM5 Adapter with flange, lime green, plastic housing, Grade B	3,5	EC02.320651.007
SCsx OM5 Adapter with flange, lime green, plastic housing, Grade C	3,5	EC02.320451.007
SCsx OM5 Adapter without flange, lime green, plastic housing, Grade B	3,5	EC02.320652.007
SCsx OM5 Adapter without flange, lime green, plastic housing, Grade C	3,5	EC02.320452.007
SCsx Multimode Adapter with flange, metal housing, Grade B	11,9	EC02.320670.007
SCsx Multimode Adapter with flange, metal housing, Grade C	11,9	EC02.320470.007
SCsx Multimode Adapter without flange, metal housing, Grade B	11,9	EC02.320673.007
SCsx Multimode Adapter without flange, metal housing, Grade C	11,9	EC02.320473.007

SCdx MM/PC Version

Description	Net weight (g)	ec-Article Nr. ¹⁾ :
SCdx OM2 Adapter with flange, beige, plastic housing, Grade B	7	EC02.330625.007
SCdx OM2 Adapter with flange, beige, plastic housing, Grade C	7	EC02.330425.007
SCdx OM2 Adapter without flange, beige, plastic housing, Grade B	7	EC02.330619.007
SCdx OM2 Adapter without flange, beige, plastic housing, Grade C	7	EC02.330419.007
SCdx OM3 Adapter with flange, aqua, plastic housing, Grade B	7	EC02.330638.007
SCdx OM3 Adapter with flange, aqua, plastic housing, Grade C	7	EC02.330438.007
SCdx OM3 Adapter without flange, aqua, plastic housing, Grade B	7	EC02.330666.007
SCdx OM3 Adapter without flange, aqua, plastic housing, Grade C	7	EC02.330466.007
SCdx OM4 Adapter with flange, heather violet, plastic housing, Grade B	7	EC02.330665.007
SCdx OM4 Adapter with flange, heather violet, plastic housing, Grade C	7	EC02.330465.007
SCdx OM4 Adapter without flange, heather violet, plastic housing, Grade B	7	EC02.330699.007
SCdx OM4 Adapter without flange, heather violet, plastic housing, Grade C	7	EC02.330499.007
SCdx OM5 Adapter with flange, lime green, plastic housing, Grade B	7	EC02.330653.007
SCdx OM5 Adapter with flange, lime green, plastic housing, Grade C	7	EC02.330453.007
SCdx OM5 Adapter without flange, lime green, plastic housing, Grade B	7	EC02.330654.007
SCdx OM5 Adapter without flange, lime green, plastic housing, Grade C	7	EC02.330454.007
SCdx Multimode Adapter with flange, metal housing, Grade B	20	EC02.330676.007
SCdx Multimode Adapter with flange, metal housing, Grade C	20	EC02.330476.007
SCdx Multimode Adapter without flange, metal housing, Grade B	20	EC02.330679.007
SCdx Multimode Adapter without flange, metal housing, Grade C	20	EC02.330479.007

1) Please replace EC02.XXXXXX.007 with EC02.XXXXXX.012 for semi transparent T dust caps.

Bold means preferred type

Note: Special T dust cap colors on request:

EC02.XXXXXX.001 - black EC02.XXXXXX.002 - blue EC02.XXXXXX.004 - green EC02.XXXXXX.008 - beige

Screw mounting method/mounting screws

Description	Size	Max. wall thickness	Type	ec_Article number
Philips head screw	M2 x 8	1,5mm	APHSN2x8	EC02.300090.001
Self tapping screw	2,2 x 4,5	1,5mm	ASTS2,2x4,5	EC02.300090.002
Hexagonal nut	M2	1,5mm	APHNM2	EC02.300090.003